



TMBOB
TMBOS



USE:

TMBOB, pressing into steel sheet of max. hardness HRB 70

TMBOS, pressing into steel sheet of max. hardness HRB 70

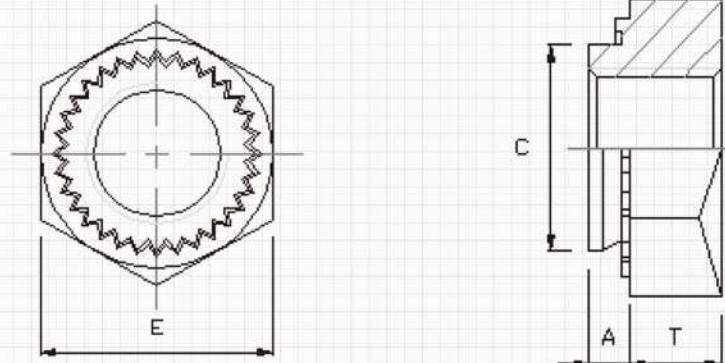
Order Examples:

TMBOB-M4-1, internal thread M4, neck type 1, zinc-plated steel

TMBOS-M6-2, internal thread M6, neck type 2, stainless steel A2 serie 300

IMPORTANT NOTES

- All stated dimensions are in mm
- Data modification reserved without prior notice



Thread size	Neck type A			Hole size in sheet +0.08	Diameter C (max)	Diameter E +/-0.25	Length T +/-0.25	Min. dist. hole to edge
	0	1	2					
M3x0.5	0.8	1	1.4	4.4	4.22	5.5	2	4.8
M4x0.7	0.8	1	1.4	5.4	5.38	7	2.2	6.9
M5x0.8	0.8	1	1.4	6.4	6.38	8	3	7.1
M6x1.0	-	1	1.4	8.4	8.72	10	4	8.6